



ASCENDOR-LIFTS MADE IN AUSTRIA



AND YOUR FUTURE IS FREE OF BARRIERS

Our head office, design department and manufacturing are all located in Austria. With our lifts, we intend to set new standards with regard to design, safety and quality.

Our top priority is the continual research and development of our products by our highly qualified designers and mechatronic engineers.



CONSULTATION

We will provide advice and consultation on site, show you alternative installation solutions and gladly answer all your questions - all free of charge!



DELIVERY

Optimal manufacturing processes and a comprehensive parts store ensure short delivery times of no more than 2 weeks.



INSTALLATION

Our qualified service partners and fitters will, together with you plan the date of installation. Your lift will then be fitted quickly and tidily within 1-2 days.



SERVICE

Once the lift is in operation, you will receive detailed training in use and operation. Our service team is always available to assist you.

ALWAYS
THERE TO
ASSIST
YOU!

www.towertrash.at



ascendor®
LIFTECHNIK

THE PLATFORM LIFT THAT BRINGS YOU MORE FREEDOM OF MOVEMENT

THOUSANDS OF SATISFIED CUSTOMERS WORLDWIDE

DISTRIBUTION PARTNERS IN YOUR VICINITY

Our international distribution network of trading partners ensures a high level of service and availability for our customers.



ascendor®
LIFTECHNIK

MY ASCENDOR-PARTNER

Ascendor GmbH
Drautendorf 48 · 4174 Niederwaldkirchen · Austria
Tel.: +43 (0) 7231 / 40040 · Fax: +43 (0) 7231 / 40040-590
E-Mail: office@ascendor.at · www.ascendor.com

Manufacturer reserves the right to modify and alter technical details without notice.

OUR OBJECTIVE: TO PROVIDE YOU WITH UNRESTRICTED FREEDOM OF MOVEMENT



We have committed ourselves to the development and production of high quality platform stair lifts.

We have made it our goal to assist people with physical handicaps to overcome structural obstacles found in everyday life. Our products are designed to provide our customers with a new feeling of freedom of mobility and independence.

Ascendor's platform stair lifts conform to the highest quality and safety standards. All our lifts are rigorously controlled before delivery to ensure that all reliability and functionality requirements are met.



J. Priglinger
Ing. Dr. Josef Priglinger
Managing Director



DESIGN

Ascendor proves that it is possible to combine elegance and functionality in platform stair lifts. Our customers' comments are proof enough that Ascendor manufactures the most attractive stair lifts.



SAFETY

Our designers and mechatronic engineers have invested a great deal of time and effort in their work, to guarantee you comfort and security. The internationally recognised TÜV certification is the proof of their endeavours.



QUALITY

We are of the firm opinion that high quality products help to make our lives more enjoyable and comfortable. The trouble and annoyance we save ourselves leaves us more time for the important things in life. Maximum reliability for your long-term satisfaction.



COMFORT

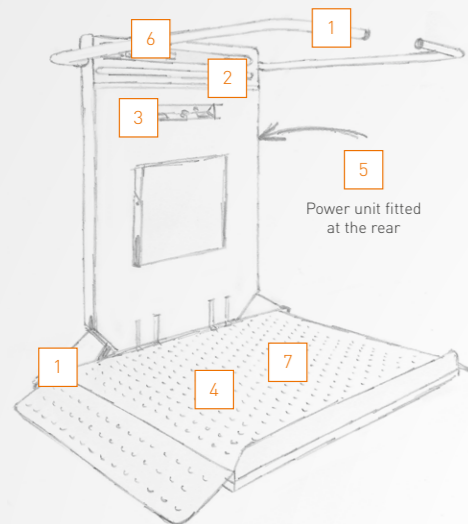
What other manufactures call a luxury is standard for us. Our objective is to make your daily routine as comfortable as possible, raise user friendliness to a higher level and to help you experience life anew.



FREEDOM

Look forward to a future full of independence and autonomy. You have earned the right to a life free of compromises.

DETAILS



Power unit fitted at the rear



FULLY AUTOMATIC PLATFORM AND SAFETY BARS

open and close automatically at the press of a button. Obstruction sensors provide additional safety and stop the lift automatically should obstacles be encountered on the stairs.



PRACTICAL SAFETY HANDLE

provides additional security – fitted as standard.



POWER UNIT

the motor is already integrated into our slim line lift. Rechargeable battery powered operation guarantees immediate operation.



Lift is ideally suited for indoor and outdoor use.



MODERN SENSOR BUTTONS

allow the lift to be controlled with ease. **Emergency call button** – for summoning assistance. **Emergency stop button** – with extra-large button to bring the lift to an immediate stop.



ANTI-SKID BUMPS

integrated into the upper surface of the platform to offer optimum safety.



COMPACT DESIGN

Thanks to the extremely compact design and the folding platform, the staircase remains accessible and free of obstruction.



INFORMATION – DISPLAY

keeps you informed regarding system operations and offers practical advice.



HIGH PAYLOAD

capable of transporting all manner of goods up to max. weight 300 kg.



PATENTED DRIVE GEAR AND SPEED CONTROLLER

The powerful brake mechanism ensures maximum safety.



LIFT CAN BE LOCKED with "Euro-Key" System

All the operating elements are vandal proof. Our lifts are ideal for outdoor installation and for use in public buildings.



DOUBLE FUNCTION STAINLESS STEEL HANDRAIL

The high quality transport rail also serves as a clean handrail.

OPERATING DETAILS

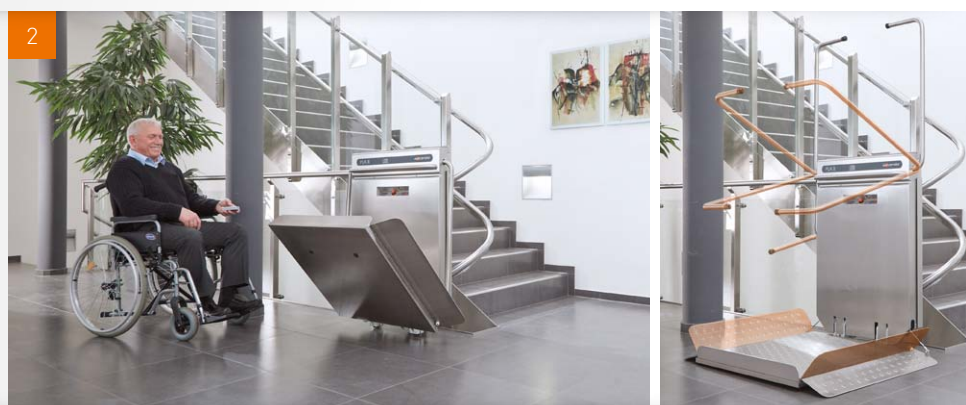
FETCH THE LIFT

A push of the button will fetch the lift up to your floor. The safety bars and side mounted loading ramps open automatically.



OPENING THE LIFT

You can automatically open and close the platform with the remote control.



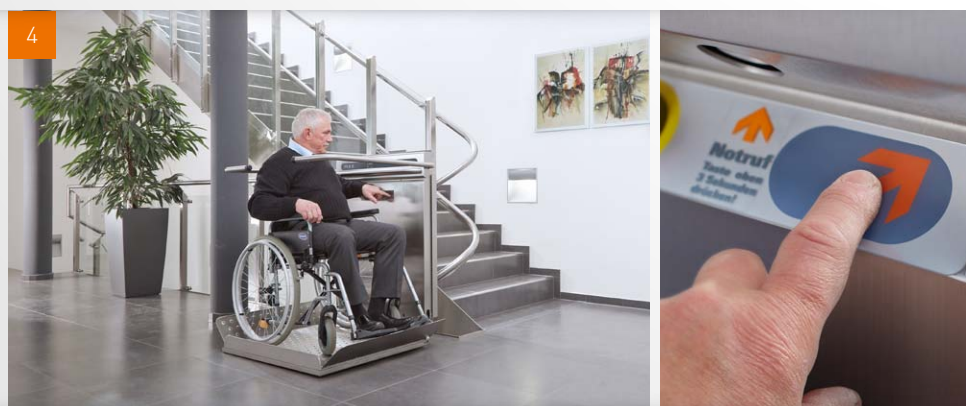
GET ON BOARD

Roll comfortably onto the platform with your wheelchair.



SAFE JOURNEY

Place your finger on the sensor button. The safety bars will be lowered and the ramps are raised automatically. The lift gently sets off in motion.



After use, the remote control can be used to fold the lift away into the space saving parking position. The staircase is once more accessible and free of obstruction.

ACCESSORIES

USEFUL OPTIONS DESIGNED TO PROVIDE EXTRA COMFORT

A | Permanently wall mounted, lockable remote control – ideal for use outdoors or in public buildings.



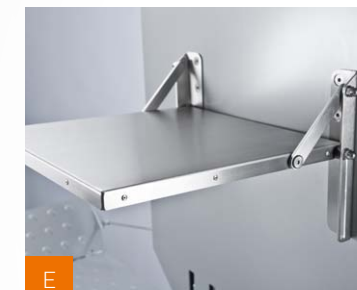
B | Handheld remote control – fetch the lift to the desired floor with the simple press of a button.

C | Choice of colours: available in elegant stainless steel finish or in any other colour – to blend in harmoniously in your home.



D | Third safety bar offers increased protection for use with children.

E | Folding seat converts your platform lift into a chair lift – useful for people with impaired mobility.



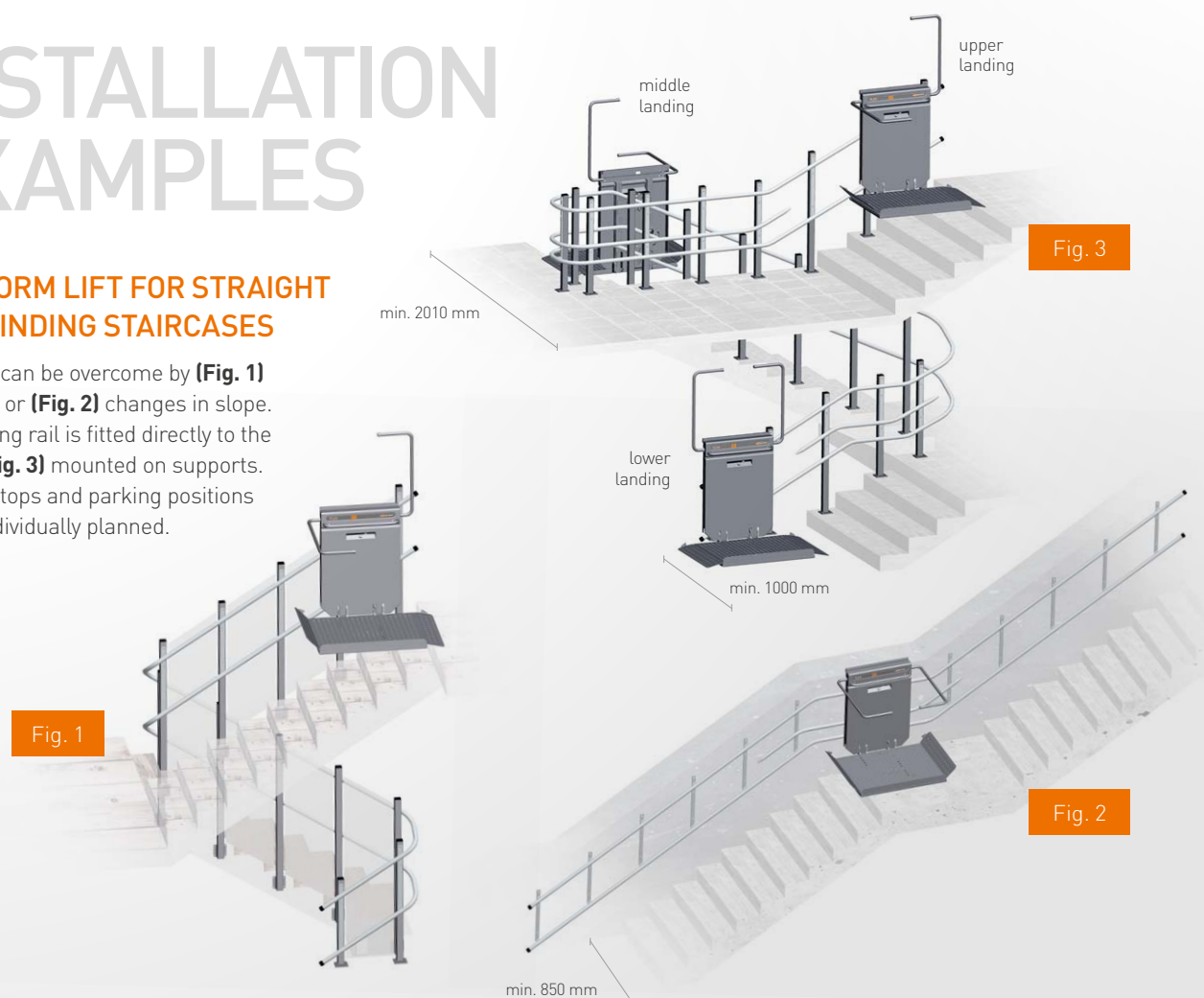
F | Third loading ramp fitted to front of platform – practical for use in confined spaces.



INSTALLATION EXAMPLES

PLATFORM LIFT FOR STRAIGHT AND WINDING STAIRCASES

Landings can be overcome by **(Fig. 1)** cornering or **(Fig. 2)** changes in slope. The running rail is fitted directly to the wall or **(Fig. 3)** mounted on supports. Multiple stops and parking positions can be individually planned.



Standard equipment

- Fully automatic operation of safety bars and platform
- Hand rail and toothed rack drive rail made from stainless steel
- Operating panel with modern sensor buttons
- Gentle start, gentle stop and automatic speed reduction in corners
- Emergency call button and emergency stop button
- Obstruction sensors mounted on all sides
- 24V-accumulator operation, recharger included
- Anti-skid bumps integrated into surface of platform

Space requirements

- Between 27 cm and 31 cm in folded and stowed position

Flexibility

- Installation in multi storey buildings, with stopover points in between
- Extensions of the transport rail system can be added in the future

Platform dimensions in mm

- 800 x 800, 800 x 700, 800 x 650, 800 x 550
- 900 x 800, 900 x 750
- 1000 x 900, 1000 x 800, 1000 x 700
- 1250 x 800

Payload

- 225 kg Standard
- 300 kg (optional)

Colour options

- Metallic silver RAL 9006 (standard)
- RAL-colours on request (optional)
- Stainless steel finish (optional)

Control options

- Remote control
 - Lockable control box, mounted flush or direct on wall
 - Hand held mobile transmitter
- Cable attached remote control unit

Materials

- Lightweight, powder coated, steel-/aluminium-construction
- Supporting elements made from zinc-coated steel
- Covering panels made from scratch resistant plastic (standard)

Operating angle

- 0-47°

Travel rails

- Clean, stainless steel upper hand rail
- Stainless steel tubular toothed rack lower drive rail

Speed of travel

- 0,11 – 0,15 m/s